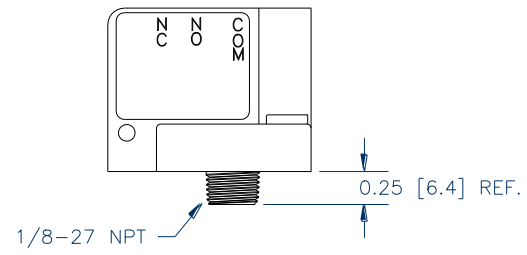
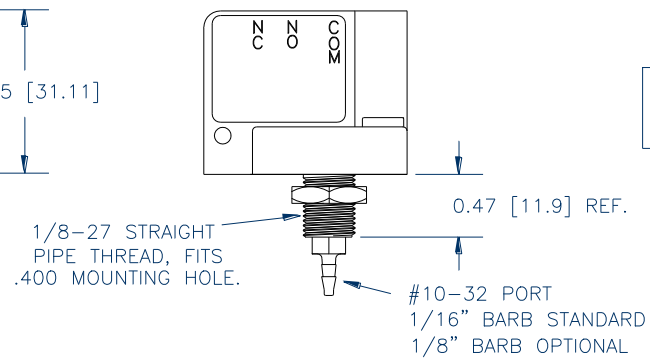


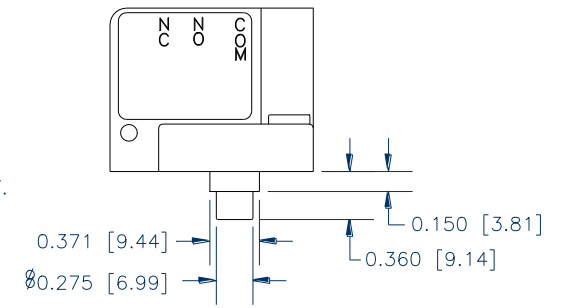
FLUSH MOUNT



PIPE THREAD



PANEL MOUNT



MANIFOLD MOUNT

See Application Note #2 for manifold mount details.