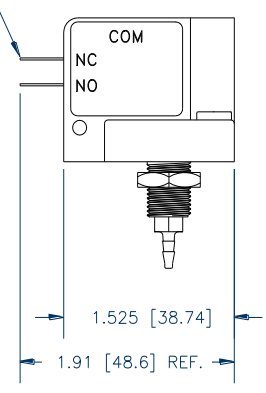
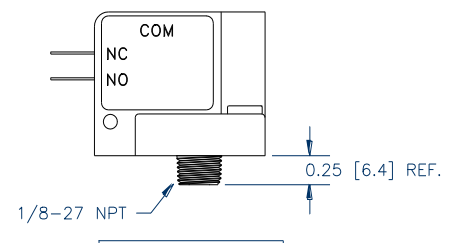


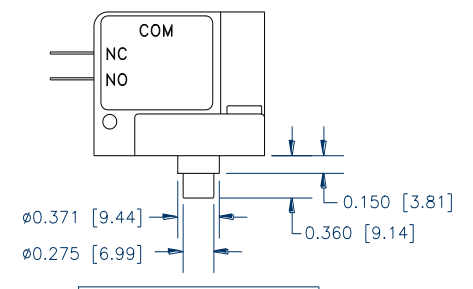
.187 QUICK CONNECT



PANEL MOUNT

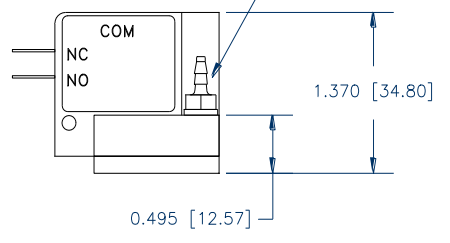
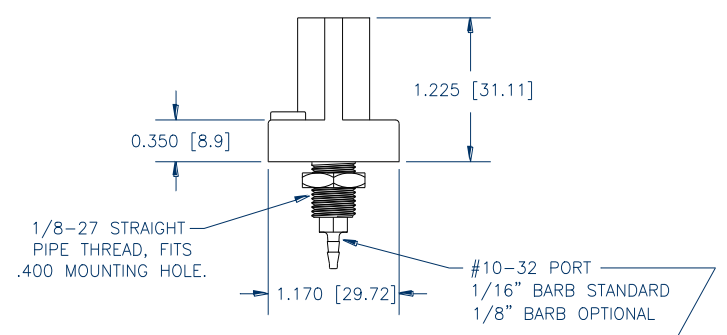


PIPE THREAD



MANIFOLD MOUNT

See Application Note #2 for manifold mount details.



FLUSH MOUNT